

**City of Easton  
Bureau of Engineering**

**APPLICATION  
FOR SIDEWALK/CURB IMPROVEMENTS PERMIT**

Location \_\_\_\_\_

**OWNER**

**CONTRACTOR**

Name \_\_\_\_\_

Address \_\_\_\_\_

\_\_\_\_\_

Phone \_\_\_\_\_

Contact \_\_\_\_\_

Curb/Sidewalk \_\_\_\_\_ Feet

\_\_\_\_ New Curb    \_\_\_\_ Curb Replacement    \_\_\_\_ Curb Repair

\_\_\_\_ New Sidewalk    \_\_\_\_ Sidewalk Replacement    \_\_\_\_ Sidewalk Repair

\_\_\_\_ Handicapped Access Ramp \_\_\_\_\_ (number)

\_\_\_\_ Driveway Cross-over \_\_\_\_\_ (number)

**Submittals**

\_\_\_\_ Driveway/Cross-over Sketch    \_\_\_\_ Insurance Verification form

\_\_\_\_ PennDOT Occupancy Permit (on state roads)

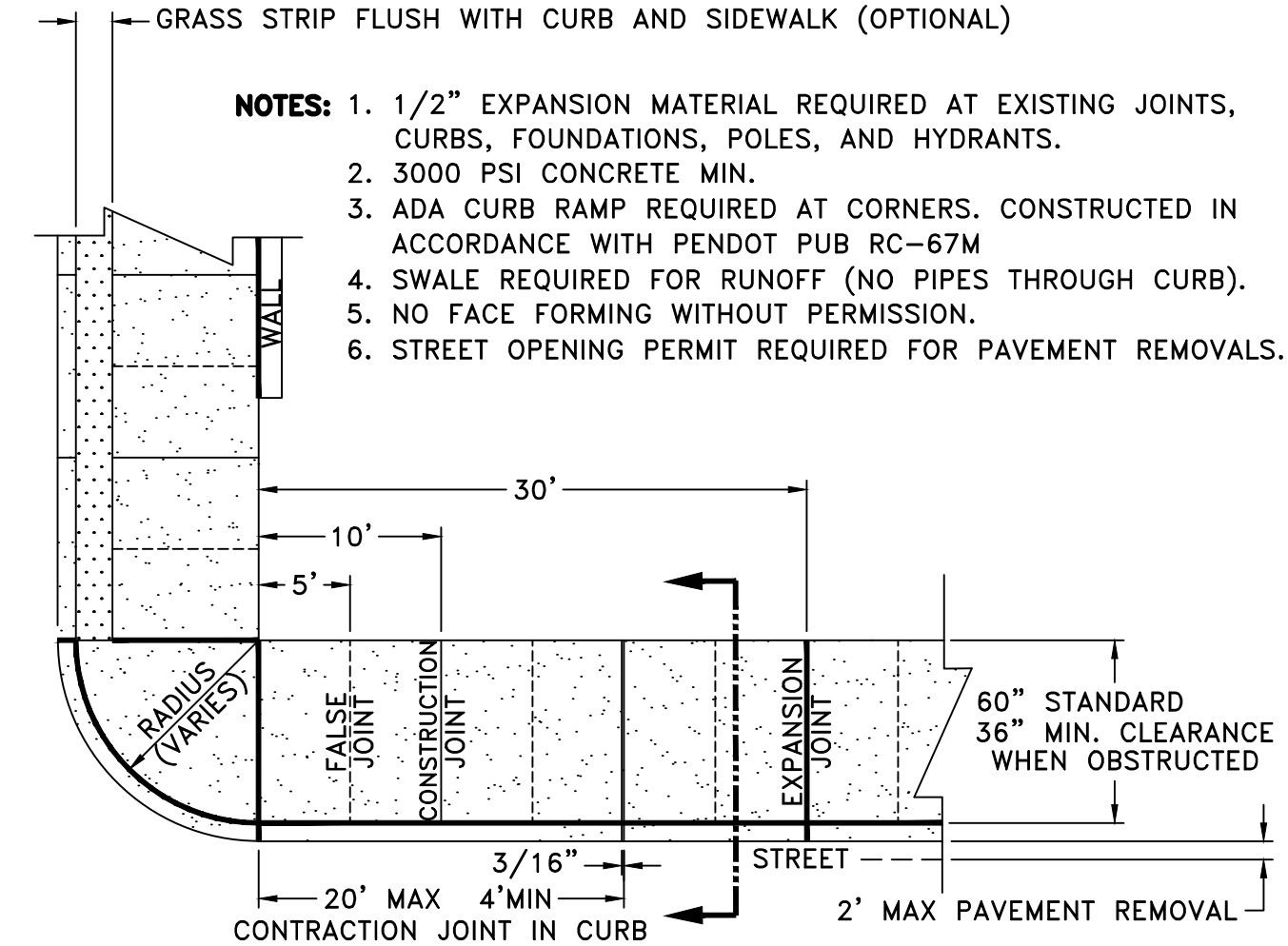
Date \_\_\_\_\_

Signature \_\_\_\_\_

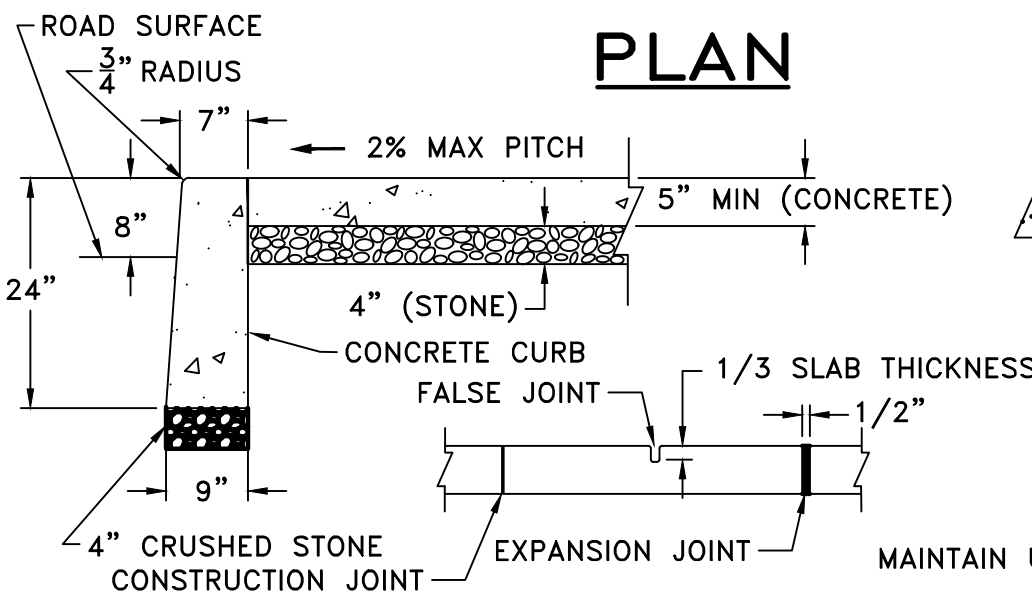
# CITY OF EASTON BUREAU OF ENGINEERING CURB AND SIDEWALK STANDARDS

GRASS STRIP FLUSH WITH CURB AND SIDEWALK (OPTIONAL)

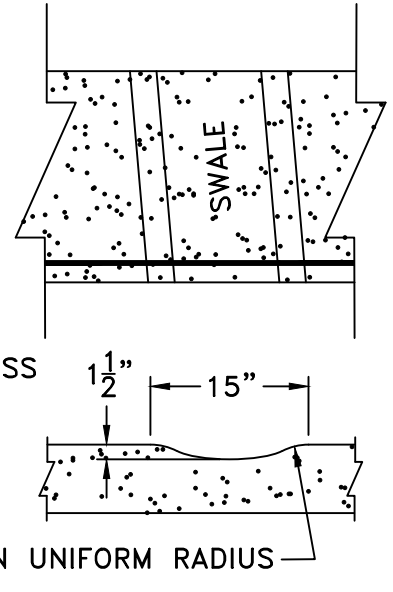
- NOTES:**
1. 1/2" EXPANSION MATERIAL REQUIRED AT EXISTING JOINTS, CURBS, FOUNDATIONS, POLES, AND HYDRANTS.
  2. 3000 PSI CONCRETE MIN.
  3. ADA CURB RAMP REQUIRED AT CORNERS. CONSTRUCTED IN ACCORDANCE WITH PENDOT PUB RC-67M
  4. SWALE REQUIRED FOR RUNOFF (NO PIPES THROUGH CURB).
  5. NO FACE FORMING WITHOUT PERMISSION.
  6. STREET OPENING PERMIT REQUIRED FOR PAVEMENT REMOVALS.



## PLAN



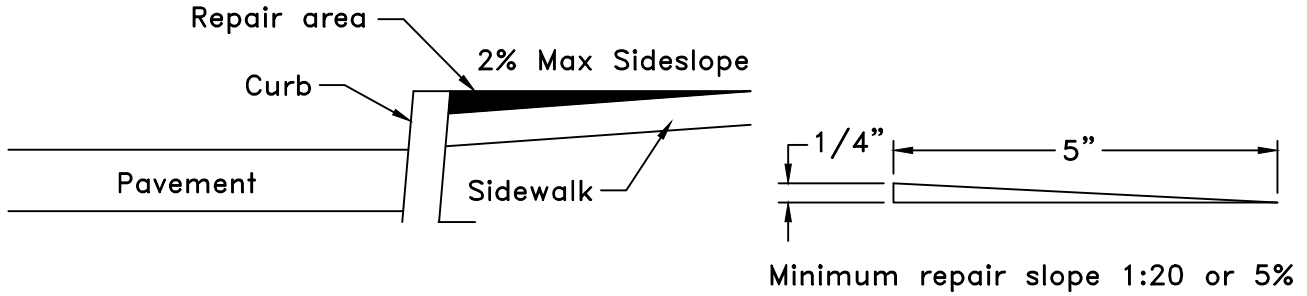
## CROSS-SECTION



## SWALE

# CITY OF EASTON BUREAU OF ENGINEERING

## SIDEWALK REPAIR



## SIDEWALK REPAIR CROSS-SECTION

### CURB REPAIR

